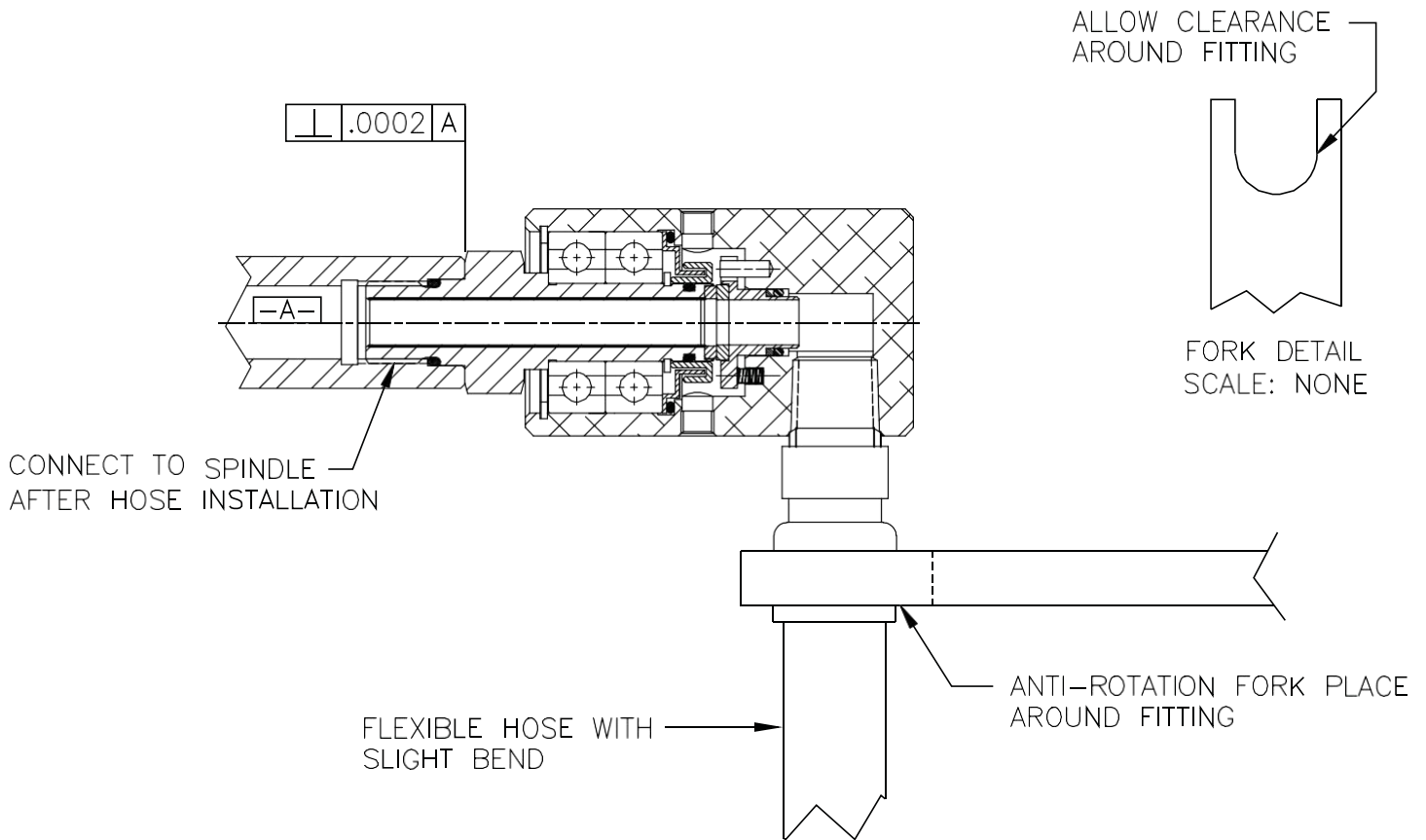


INSTALLATION GUIDE - SERIES GB/GL



PROPER USE AND MOUNTING INSTRUCTIONS

1. Connect all fittings to housing prior to installation.
 - Do not use rigid piping as this will compromise the life of the union.
 - The hose should be flexible and have a slight bend.
 - Extreme bends can reduce the flexibility of the hose.
 - The rubber hose selected should be able to safely handle the working pressure.
 - The hose should be properly supported & should not side load the union.
2. Lube o-ring with grease prior to threading it into the spindle
3. Make sure that spindle is clean and free of burrs or dents.
 - Ensure that the pilot is the correct size and the threads match.
4. Attach your preferred method of anti-rotation, such as a fork around the fitting. Anti-rotation must allow the union to find its center. Do not hard mount both the rotor and housing of the union.

I C